

3/2- or 5/2-Way, 30 – 116 PSI



The Type 6516/6517 intrinsically safe valves are used for process actuation in hazardous areas. Thanks to the intrinsically safe design and the possibility of block mounting, the valves can be used in a wide variety of demanding applications.

Process Specification

Nominal voltage	24 V/DC <small>(for further information also consult our data sheet "Recommended Barriers")</small>
Duty cycle	100% continuously rated
Protection class	IP 65 with cable plug
Materials	
Body	PA
Threaded port material	Brass or stainless steel
Seal	PB (NBR and PUR)
Fluids	Lubricated or unlubricated compressed air, instrument air and nitrogen
Ambient temperatures	
Block assembly	14 up to 122°F (T6) 14 up to 131°F (T5)
Single mounting	14 up to 131°F (T6)
Mounting position	Any, preferably solenoid system upright

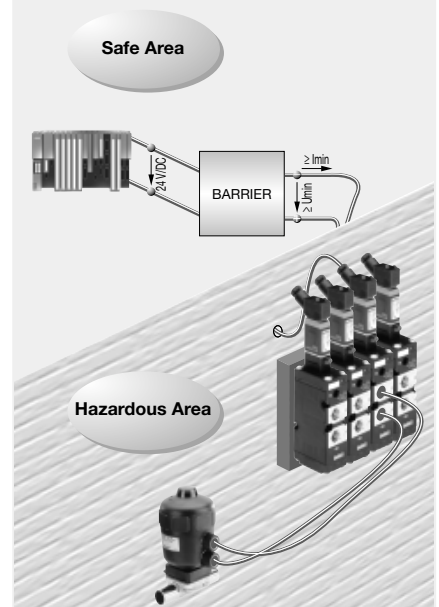
Advantages/Benefits

- ▶ PTB EEx ia IIC T6 approved
- ▶ FM IS / I, II, III / ABCDEFG approved
- ▶ High flow rates
- ▶ Long service life

Applications

Target markets:

- Chemical industry
- Pharmaceutical processing equipment
- Industrial waste water treatment
- Oil and gas industry



Burkert Contromatic USA
2602 McGaw Avenue
Irvine, CA 92614
Tel. 949.223.3100
Fax 949.223.3198
www.burkert-usa.com

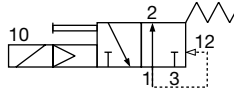
Burkert Contromatic Inc.
760 Pacific Road, Unit 3
Oakville, Ontario, Canada L6L 6M5
Tel. 905.847.5566
Fax 905.847.9006
www.burkert.ca

burkert
Fluid Control Systems

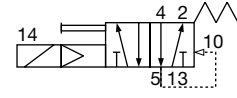
Technical Data

Circuit Function

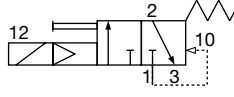
C 3/2-way valve, servo-assisted,
in de-energized position,
port 2 pressure relieved



H 5/2-way valve, servo-assisted,
in de-energized position,
pressure port 1 connected to
port 2, port 4 exhausted



D 3/2-way valve, servo-assisted,
in de-energized position,
port 2 pressurized



Type	Circuit function	Orifice [inch]	QnN-Value (air) [l/min]	Pressure range [PSI]	Response times		Weight [lb.]
					opening [ms]	closing [ms]	
6516	C (3/2-way)	5/16"	1300	30 – 116	35	120	0.44
6516	D (3/2-way)	5/16"	1300	30 – 116	35	120	0.44
6517	H (5/2-way)	5/16"	1300	30 – 116	60	200	0.55

Flow rate: QnN-value air [l/min]
Measured at 68°F, 87 PSI pressure at valve inlet and
14.5 PSI pressure difference

Pressure ranges [PSI]
Gauge measurements

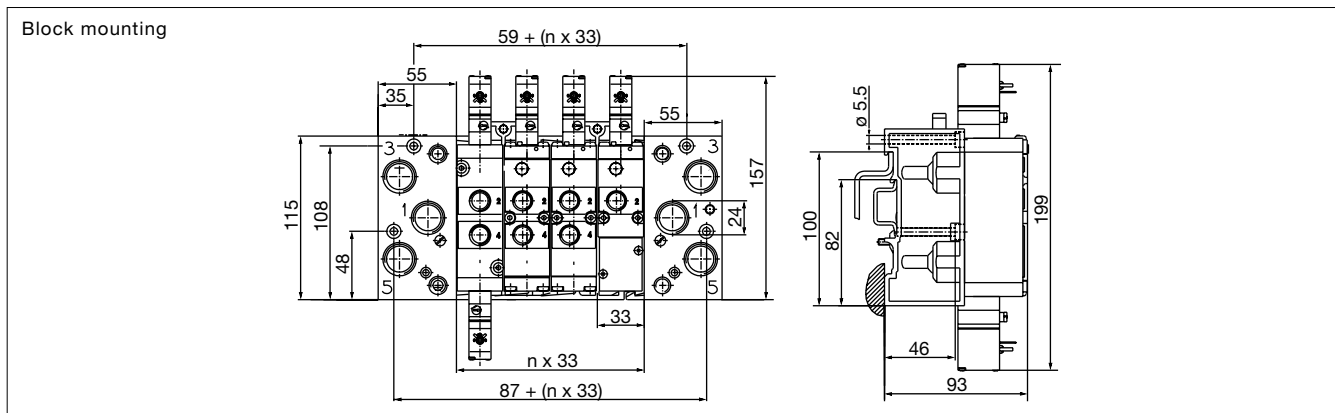
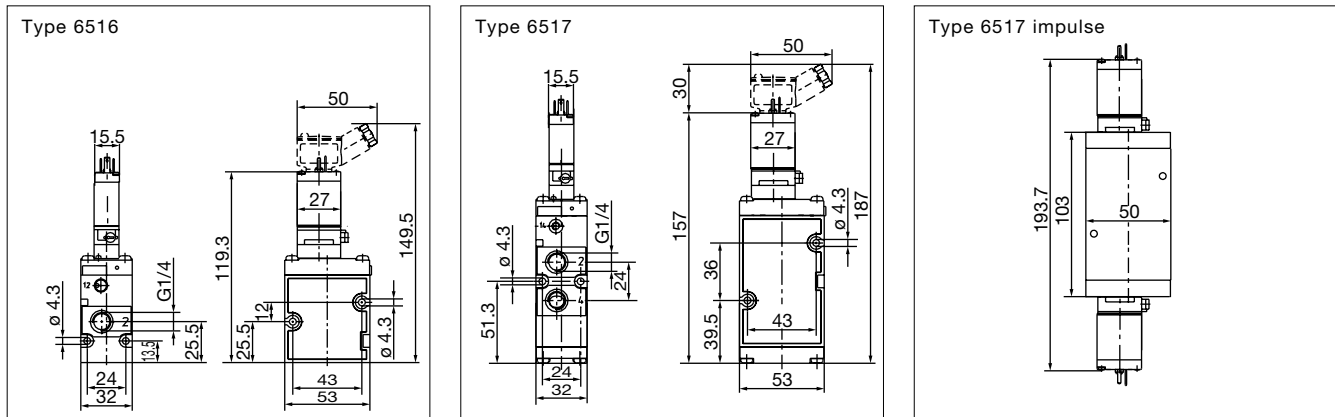
Response times [ms]
Measured at valve outlet at 87 PSI and 68°F
Opening Pressure rise from 0 to 90%
Closing Pressure drop from 100 to 10%

Specifications - Ordering Chart (Other Versions on Request)

All valves are supplied with a manual override and G 1/4 threads

Type	Circuit function	Orifice [inch]	QnN-Value (air) [l/min]	Supply port material	Pressure range [PSI]	Item-No.
6516	C (3/2-way)	5/16"	1300	Brass, nickel-plated	30 – 116	140 500 L
6516	D (3/2-way)	5/16"	1300	Brass, nickel-plated	30 – 116	140 502 A
6517	H (5/2-way)	5/16"	1300	Brass, nickel-plated	30 – 116	140 315 B
6517	H impulse	5/16"	1300	Brass, nickel-plated	30 – 116	140 505 B

Dimensions [mm]



In case of special requirements
please consult for advice.

We reserve the right to make technical
changes without notice.

US_6516-6517_Intrinsically_Safe_07/02